

VEHICLE COMPONENTS AND CONTROLS MANUAL

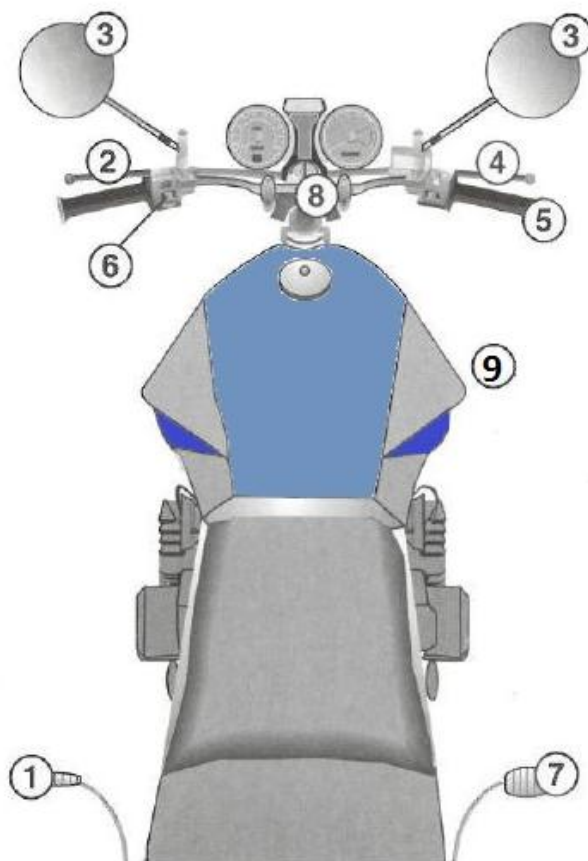
General

The aim of this document is to familiarise a learner driver with the major visual components of a motor vehicle or motor cycle. The intention is also to assist the learner driver to identify the controls that needs to be used in conjunction to complete a certain manoeuvre or action.

The controls/components of the following vehicles are covered in this guide.

- Motor cycles (Electric Scooter and motor cycle)
- Light motor vehicles (Manual and automatic gear box)
- Heavy Motor Vehicle (Manual and automatic gear box)

Components and controls of a Motor cycle



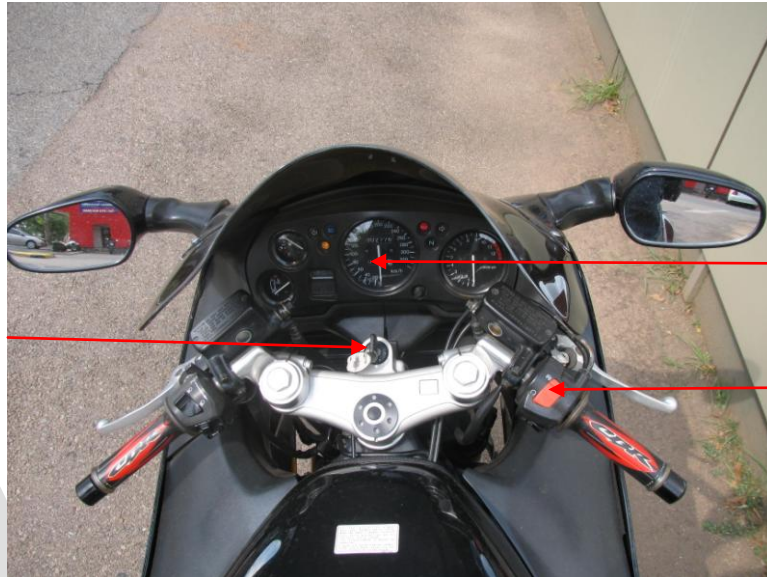
Front mudguard

Service brake

Exhaustsyst

Foot rest/peg





Ignition

Speedometer

Starter button



Gear lever

Rear wheel

Silencer

Front foot
peg



Head lamp

Rear wheel

Shock Absorber

Rear wheel

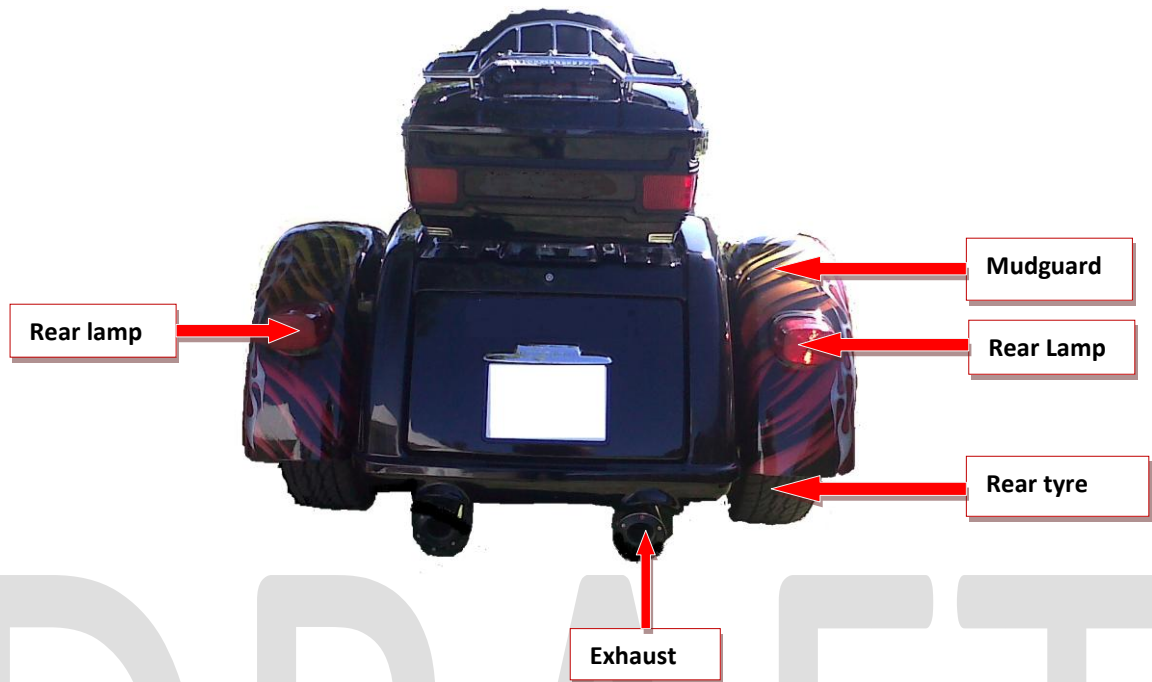
Front wheel



Front mudguard

Front wheel

Shock absorber



Identification of Controls

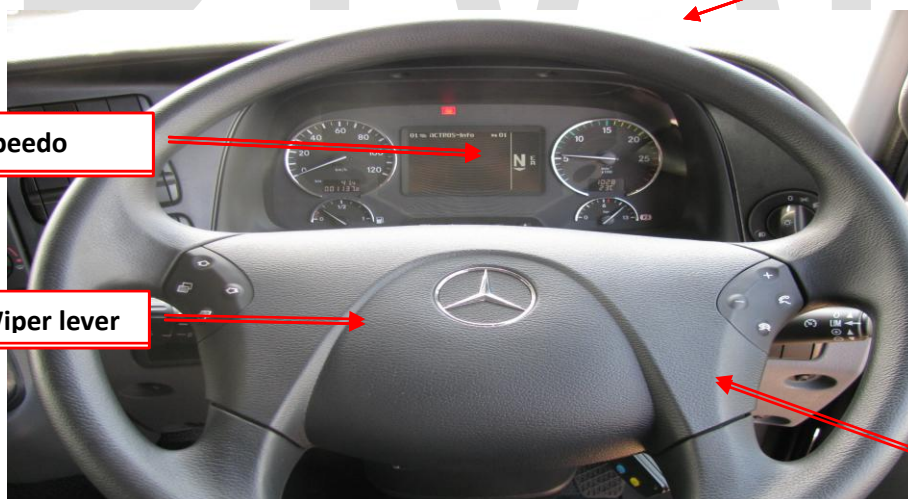
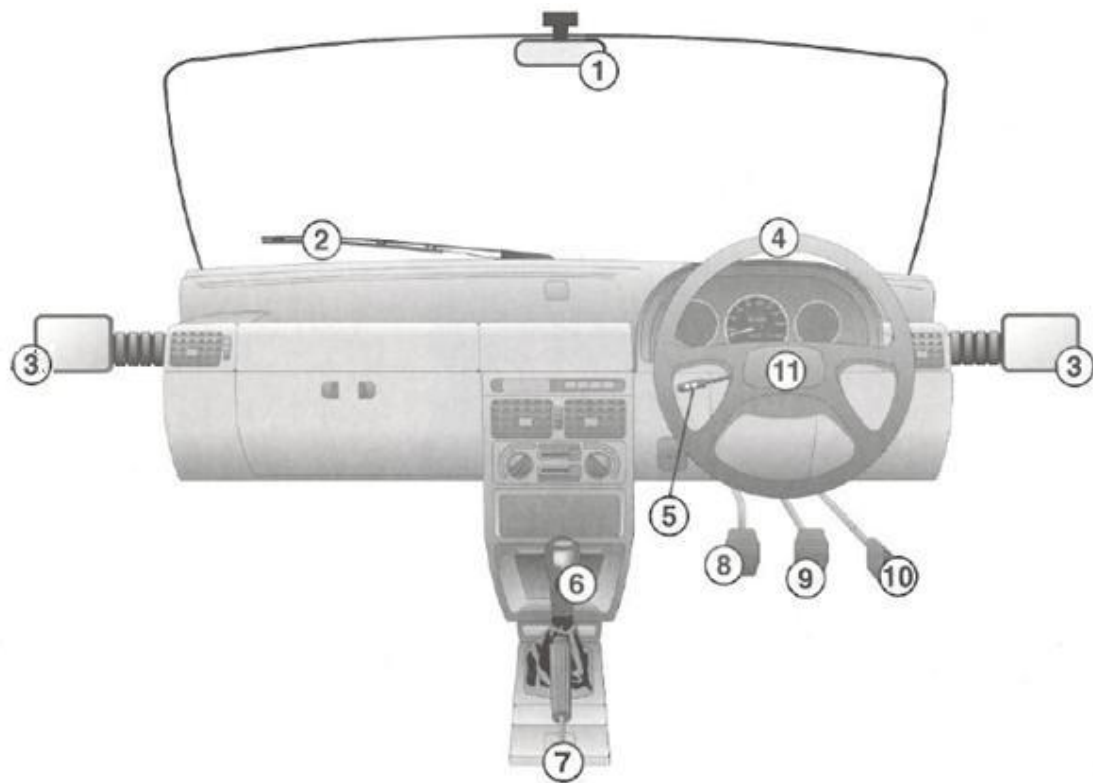
Component Number	Description of Component
1	Gear lever
2	Clutch
3	Left and right rear view mirrors
4	Front Brake
5	Throttle
6	Indicator light switch
7	Rear brake (operated by foot)
8	Handle bars
9	Fuel tank

SAMPLE QUESTIONS

QUESTION	ANSWER
To regulate the fuel supply to the engine you will make use of the	5
In the case of a motorcycle the lever that applies the front brake and activates the stop lamp is ...	4
On a motorcycle the lever that applies the rear brake is ...	7
The following controls are used in combination to bring the motorcycle to a complete standstill. () .	Front and rear brakes no 4 and 7
The following control is used to increase or decrease the speed of a motorcycle	5
The following controls are used to control the speed of a motorcycle.	4 + 5 + 7
The switch to activate indicator signals and thereby to communicate your intentions, is ...	6
The twist grip that controls the engine speed, is ...	5
The following controls are used to change gears...	1 and 2
The following control is used to indicate that you are going to turn ...	6
To ride faster, you must use control...	5
To stop, you must use the following controls ...	4 and 7
In order to turn the motor cycle, you must use control ...	8
When controls 4 and 7 are used, the distance it takes you to stop your motor cycle is ... (i) longer on a wet road than on a dry road. (ii) longer if you ride at a higher speed. (iii) longer if carrying a passenger.	All of the options are correct
SELECT THE CORRECT COMBINATION	
Which control is used by the rider of a motorcycle to monitor the traffic situation to the rear of the motorcycle?	3
Which control is used to disengage the engine from the gearbox?	2
Which control is used to check traffic to the rear?	3
Which control is used when the rider of a motorcycle wants to signal his intention to steer to the left?	6
Which controls must be used in combination immediately before coming to a standstill?	2 , 4 and 7
In order to negotiate a sharp turn in the road the following controls must be used...	1, 2, 3, 4, 5, 7 and 8
Which lever is used to change the gears?	1

Components and Controls of a Light Motor vehicle

Light Motor Vehicle - Manual gearbox



Steering gear

Speedo

Wiper lever

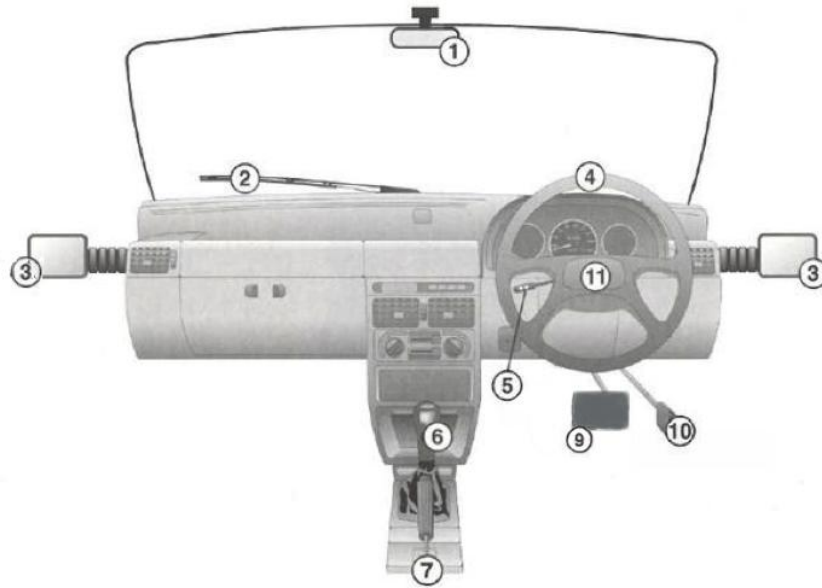
Indicator lever

Horn

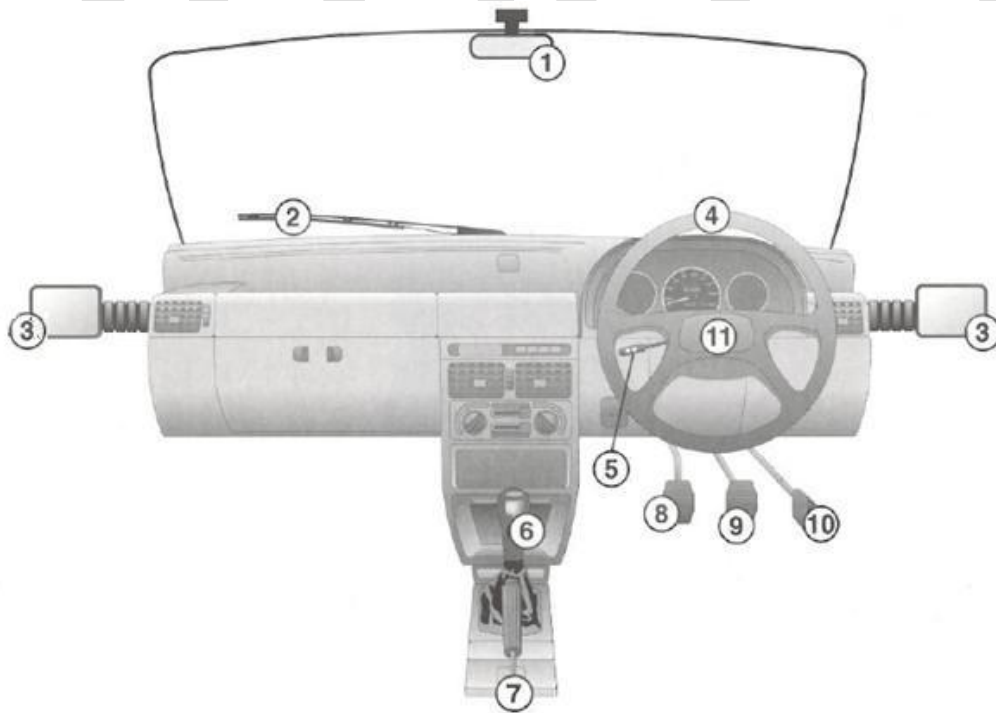
Identification of Controls

Component Number	Description of Component
1	Centre rear view mirror
2	Window wiper
3	Left and right rear view mirrors
4	Steering wheel
5	Indicator light switch
6	Gear level
7	Hand brake Note that some vehicle might have the hand brake as a foot operated control (e.g. Mercedes-Benz)
8	Clutch
9	Brake
10	Accelerator
11	Horn

Light Motor Vehicle - Automatic Gear Box



Light motor vehicle manual gear box



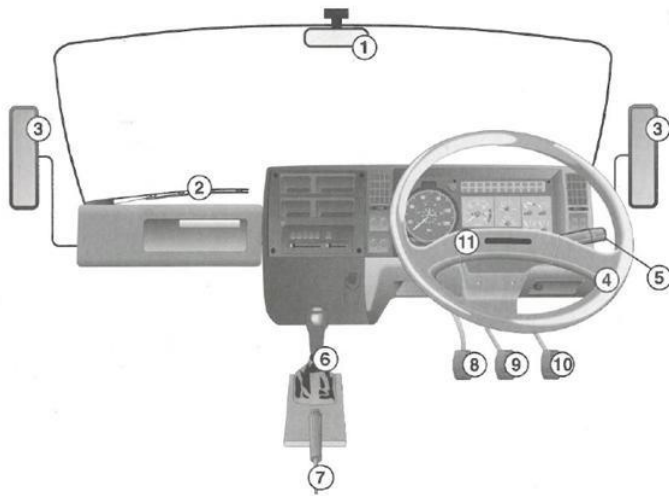
Identification of Controls

Component No	Description of Component
1	Centre rear view mirror Note: The driver must always first check the mirrors to be aware of the traffic situation behind him or her. This will assist the driver to avoid possible unsafe situations.
2	Window wiper
3	Left and right rear view mirrors
4	Steering wheel
5	Indicator light switch
6	Gear lever – Note: The gear lever for an automatic vehicle operates differently from a manual gear box system.
7	Parking brake - Note: that some vehicles might have the parking brake as a foot operated control (e.g. Mercedes-Benz)
8	Automatic vehicles do not have a clutch control.
9	Brake
10	Accelerator
11	Horn

SAMPLE QUESTIONS

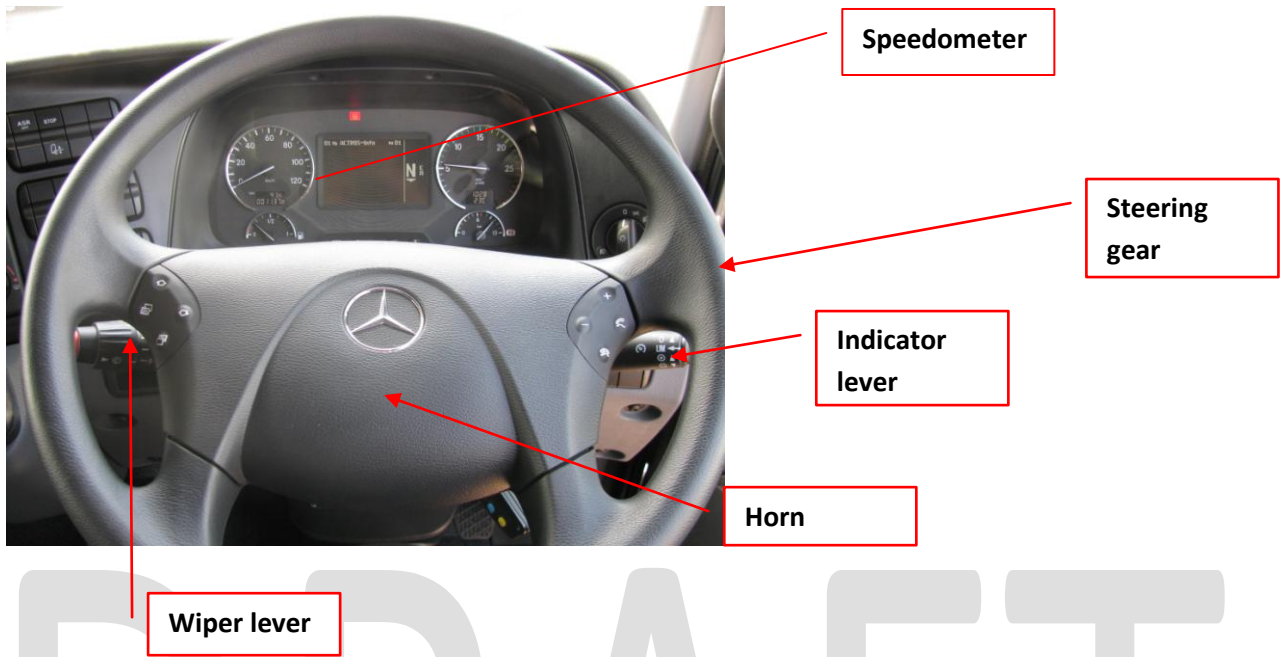
QUESTION	ANSWER
Which control is not found in an automatic vehicle?	8
Which control would you use to look what is on the right hand rear-side of your vehicle?	3
The following control is used to accelerate your vehicle...	10
What control is used to ensure that your parked vehicle does not move...	7
In order to change a gear, you must use control/s ...	6 and 8.
To stop your vehicle you must use number ...	9
When braking the distance it takes the driver of a motor vehicle to stop is ... (i) longer on a wet road than on a dry road. (ii) longer if the vehicle is travelling at a higher speed. (iii) longer if the vehicle is loaded. SELECT THE CORRECT COMBINATION	All of the options are correct
The control that assists the driver when engaging or disengaging a gear is?	8
The speed of the vehicle can be increased by control?	10
Which control is used before applying the brake in order to slow down or stop.	1
Which control is used before changing direction of a vehicle?	5
Which control is used before changing the speed of the vehicle?	1
Which control is used to advise other road users of your intention to steer to the left or right, or to turn to the left or right.	5
The following control is used to alert other road users in order to avoid a collision?	11
Which control is used to avoid the vehicle stalling just before coming to a complete standstill?	8
In order to bring the vehicle to a complete standstill, what control is used?	9
Which control is used to change the direction of the vehicle?	4
Which control is used to clean the front windscreen of the vehicle?	2
Which control is used to decrease speed or stop?	9
Which control is used to keep the vehicle stationary after parking?	7
Which control is used to see what is to the rear of the vehicle?	1
Which control is used to select a gear?	6
The control used to steer the vehicle to the left or right is?	4
The following control is used to turn...	4
When driving in the rain the following control is used...	2
Which control is used when parking and leaving a vehicle unattended?	7
The control that must be used to ensure the vehicle remains stationary is?	7
Which control(s) is used to stop the vehicle in an emergency?	9
Which control(s) is/are used to see what is to the rear and sides of the vehicle?	1 and 3
Which control(s) is/are used when changing from one gear to another?	8 and 6
Which controls must you use when there is a sharp turn in the road?	1, 4, 6, 8, 9 and 10 only

Heavy Motor Vehicle - Manual gearbox

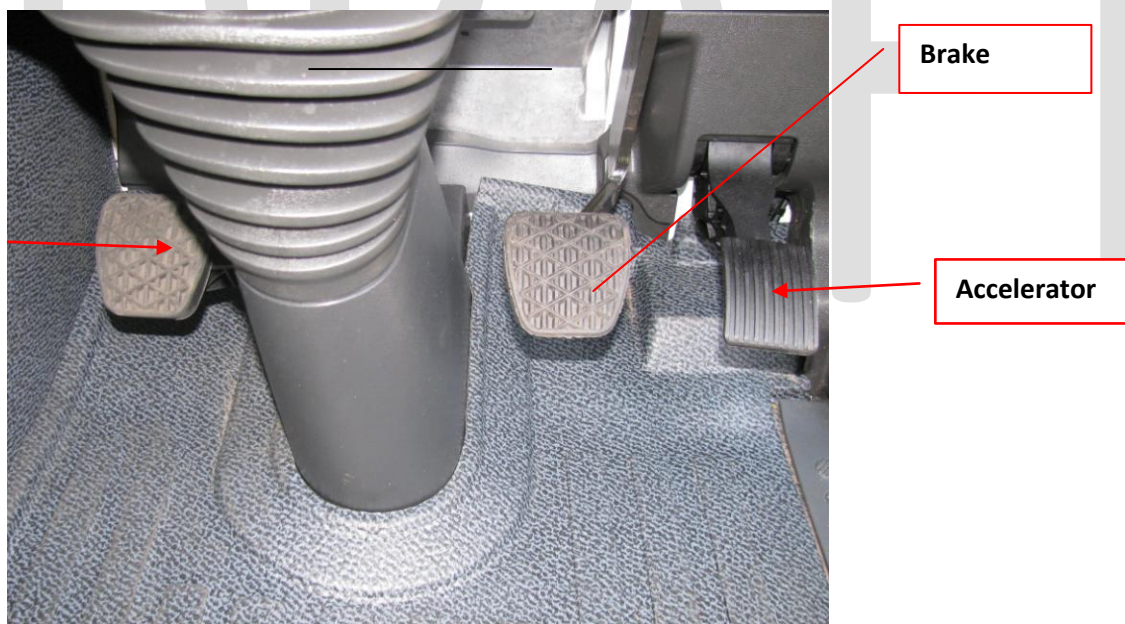


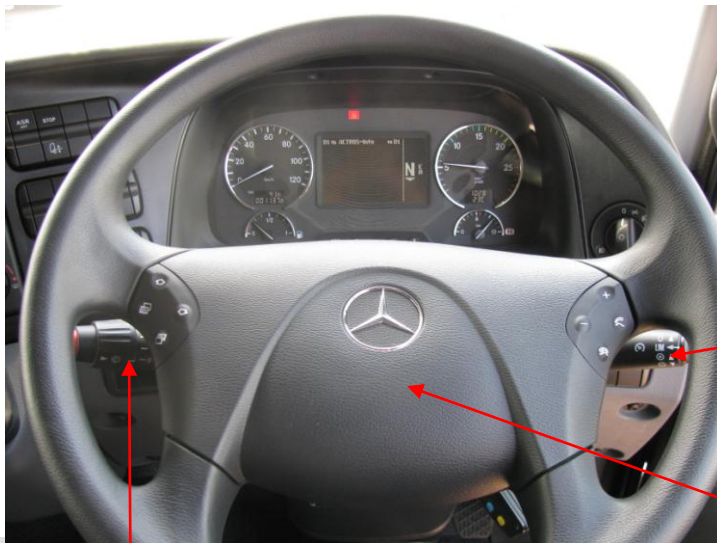
Identification of Controls

Component No	Description of Component
1	Centre rear view mirror
2	Window wiper
3	Left and right rear view mirrors
4	Steering wheel
5	Indicator light switch
6	Gear level – Note: The gear level for an automatic vehicle operates differently from a manual gear box system.
7	Hand brake
8	Clutch control.
9	Brake
10	Accelerator
11	Horn



Heavy motor vehicles manual gearbox





Steering gear

Indicator lever

Horn

Wiper lever

Heavy motor vehicle automatic gearbox



Brake

Accelerator

SAMPLE QUESTIONS

QUESTION	ANSWER
Control no 8 is used to ...	change gears.
Control no. 1 is the ...	rearview mirror (interior).
Control no. 2 is the ...	windscreen wipers.
Control no. 4 is the ...	steering wheel.
Control no. 5 is the ...	direction indicator.
Control no. 6 is the ...	gear lever.
The following control assists the driver when changing gears:	8
The following control is used to change the direction of the vehicle:	4
The following control is used to keep a parked vehicle stationary:	7
The following control is used to select the appropriate gear of the vehicle:	6
The following is a foot control	9
The following is not a hand control	10
The following is used to indicate the intention to change direction:	5
The following is used to monitor traffic:	3
To accelerate your vehicle, you must use number ...	10
To bring a vehicle to a complete standstill control no. ____ is used	9
To bring the speed down or stop the vehicle completely the following control is used:	9
To ensure that your parked vehicle does not move, use number ...	7
To increase and decrease the speed of the vehicle, the following control is used:	10
To indicate that you are going to turn you must use number ...	5
To keep the windscreen clear during rainy conditions, the following is used ...	2
To monitor traffic to the rear the following is used ...	3
To select a gear, you must use numbers ...	6 and 8
To stop your vehicle, you must use number ...	9
To turn your vehicle, number ... is used.	4
When control number 9 is used, the distance it takes the driver of a motor vehicle to stop it is ...	
<ul style="list-style-type: none"> (i) longer on a wet road than on a dry road. (ii) longer if the vehicle is travelling at a higher speed. (iii) longer if the vehicle is loaded. 	
SELECT THE CORRECT COMBINATION	All of the above are correct
When intending to change direction the following controls are used:	1 + 3 + 5
When you stop on a steep incline and want to prevent the vehicle from rolling backwards, you use control(s) no. _____	7
Which controls must you use when there is a sharp turn in the road?	1, 3, 4, 6, 8, 9 and 10 only

DRAFT